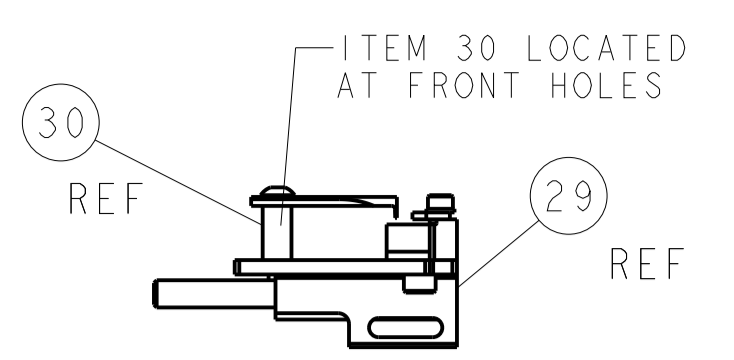
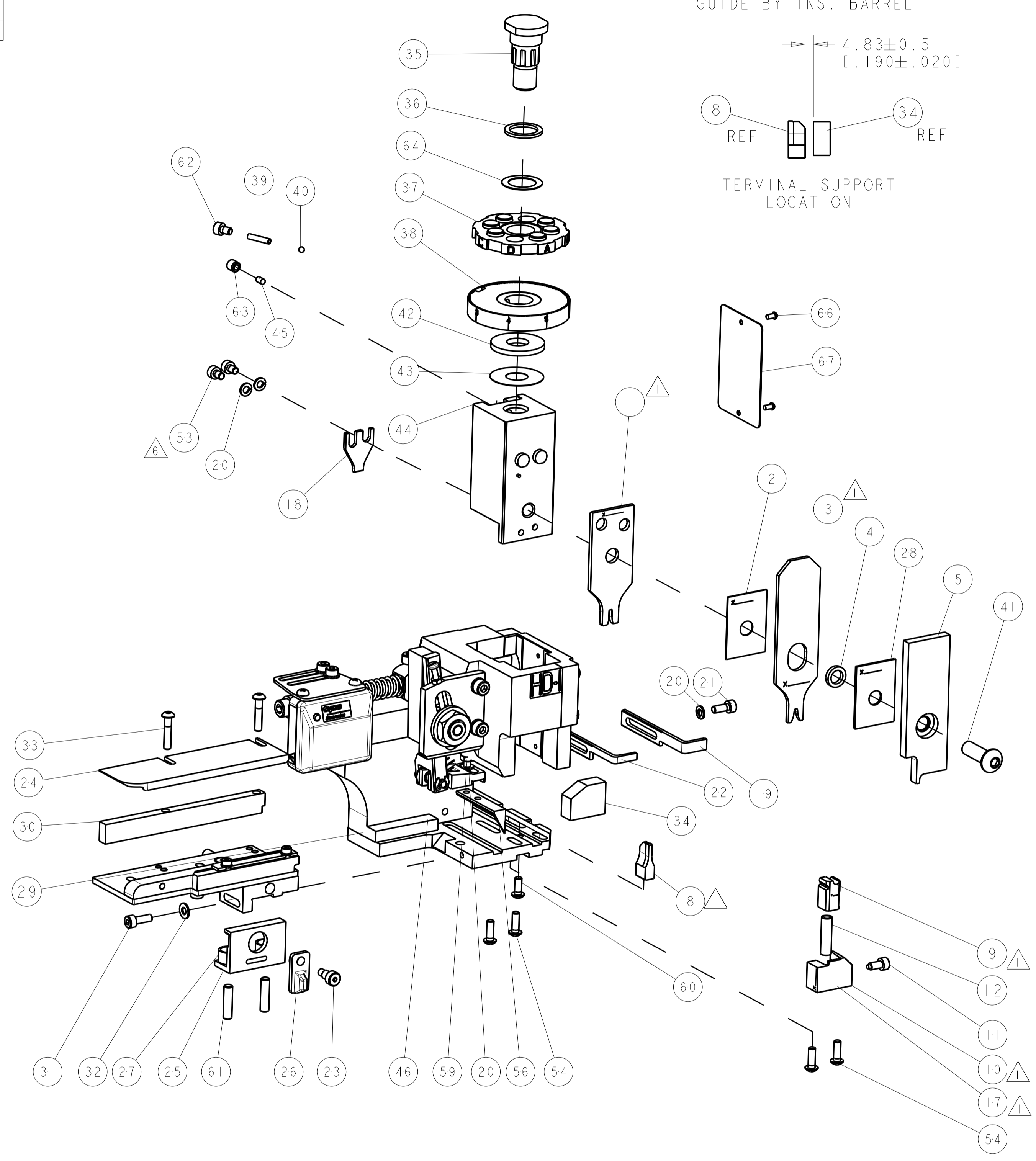
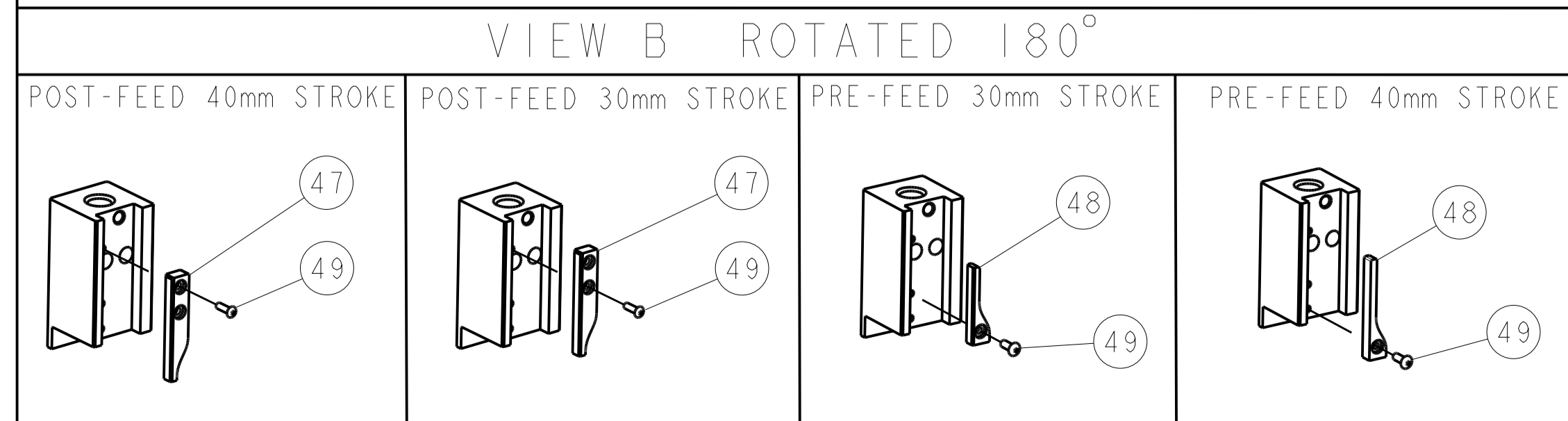


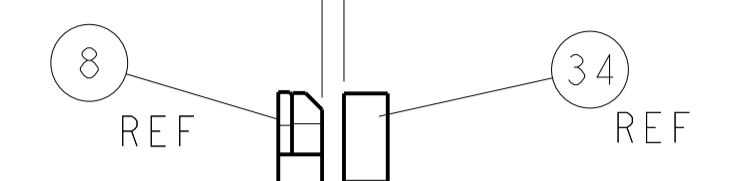
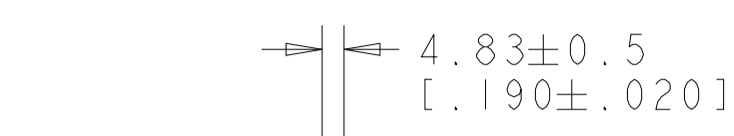
PART NUMBER	REV	TERMINATOR	FEED TYPE	DESCRIPTION
1426570-1	B	LEADMAKER	MECH POST FEED	CUTS CARRIER
1426570-2	B	BENCH	MECH PRE FEED	CUTS CARRIER
1426570-6	B	LEADMAKER	MECH POST FEED	CONTINUOUS CARRIER
7-1426570-1	B	LEADMAKER	MECH POST FEED	-1 AND SPARE PARTS
7-1426570-2	B	BENCH	MECH PRE FEED	-2 AND SPARE PARTS
7-1426570-6	B	LEADMAKER	MECH POST FEED	-6 AND SPARE PARTS
7-1426570-7	A	-	-	SPARE PARTS KIT

CRIMP DATA		HARTING TERMINAL		CUSTOMER CRIMP SPECS	
TERMINAL NAME: DIN 41612-FFC-SIQ REC CTC					
CRIMP	SIZE	TYPE	RANGE		
WIRE	1.78 [1.070 IN]	F	0.14-0.56mm ² or 26-20 AWG ⁴		
INSUL	2.29 [1.090 IN]	O	0.80-2.00 [1.031-.079 IN] ⁴		
WIRE STRIP LENGTH		APPL INSTRUCTIONS			
3.00-4.00 [1.118-.157 IN]		408-8322			
TERMINAL APPL SPEC		FEED [12.50 [1.492 IN]]			
TERMINALS APPLIED					
AMP TERM PN	MFR TERM PN				
1572649-1	09060006421				
1572649-2	09060006471				
1572649-3	09060006481				
1572649-4	09060007471				
WIRE SIZE	CRIMP HEIGHT	PINPN & LENGTH [IN]			
0.50mm ²	1.05 ±0.05 [1.041 ±.002 IN]	3-354779-4 [1.3160]			
0.34mm ²	1.00 ±0.05 [1.039 ±.002 IN]	3-354779-8 [1.3180]			
0.25mm ²	0.95 ±0.05 [1.037 ±.002 IN]	4-354779-2 [1.3200]			

- ¹ RECOMMENDED SPARE PARTS.
- 2. GREASE RAM, CAM, CAM FOLLOWER AND FEED ROD LIGHTLY.
- 3. LUBRICATE DAILY PER THE APPLICATOR INSTRUCTION SHEET SUPPLIED WITH THE APPLICATOR.
- ⁴ WIRE AND INSULATION RANGE QUOTED IS THAT OF THE TERMINAL.
- ⁵ CRIMP DATA SUPPLIED BY CUSTOMER.
- ⁶ CUT TO LENGTH AT ASSY.



FEED TRACK POSITION GUIDE BY INS. BARREL



TERMINAL SUPPORT LOCATION

77	76	72	71	6	2	1	PART NO	DESCRIPTION	ITEM NO
-	-	-	-	-	-	-	-	-	84
-	-	-	-	-	-	-	-	-	83
-	-	-	-	-	-	-	-	-	82
-	-	-	-	-	-	-	-	-	81
-	-	-	-	-	-	-	-	-	80
-	-	-	-	-	-	-	-	-	79
-	-	-	-	-	-	-	-	-	78
-	-	-	-	-	-	-	-	-	77
-	-	-	-	-	-	-	-	-	76
-	-	-	-	-	-	-	-	-	75
-	-	-	-	-	-	-	-	-	74

SET UP GAGE 458637-3

LOC		DIST		REVISONS		DATE	OWN	APVD
A	66	P	LTN	DESCRIPTION	DATE	OWN	APVD	
A	66			SEE ECO-05-013517	10NOV2005	MC	MC	
B				ECR-14-004979	04APR2014	KH	UG	

-	-	-	-	-	-	-	-	-	73
-	-	-	-	-	-	-	-	-	72
-	1	1	1	1	1	1	1338705-1	DOCUMENTATION PACKAGE	71
-	-	-	-	-	-	-	-	-	70
-	-	-	-	-	-	-	-	-	69
-	-	-	-	-	-	-	-	-	68
-	1	1	1	1	1	1	461264-1	PLATE, IDENTIFICATION	67
-	2	2	2	2	2	2	21017-2	SCREW, DRIVE	66
-	-	-	-	-	-	-	-	-	65
-	1	1	1	1	1	1	986950-1	WASHER, FLAT PRECISION	64
-	1	1	1	1	1	1	3-18031-0	SCR, SET, CUP POINT M6 X 6.0	63
-	1	1	1	1	1	1	18023-9	SCR, SKT HD CAP M4 X 6.0	62
-	2	2	2	2	2	2	2-18032-5	SCR, SET, FLT POINT M5 X 20.0	61
-	1	1	1	1	1	1	18024-7	SCR, BTN SKT HD CAP (M4 X 10.0)	60
-	1	1	1	1	1	1	5-18022-2	SCR, HEX HD CAP M4 X 8.0	59
-	-	-	-	-	-	-	-	-	58
-	-	-	-	-	-	-	-	-	57
-	1	1	1	1	1	1	1338685-1	PAWL, FEED	56
-	-	-	-	-	-	-	-	-	55
-	4	4	4	4	4	4	18024-8	SCR, BTN SKT HD CAP (M4 X 12.0)	54
-	2	2	2	2	2	2	18023-9	SCR, SKT HD CAP M4 X 6.0	53
-	-	-	-	-	-	-	-	-	52
-	-	-	-	-	-	-	-	-	51
-	-	-	-	-	-	-	-	-	50
-	1	1	1	1	1	1	18024-3	SCR, BTN SKT HD CAP (M3 X 10.0)	49
-	-	-	-	-	-	-	1338675-1	CAM, UNIVERSAL PRE FEED	48
-	-	-	-	-	-	-	1338676-1	CAM, UNIVERSAL POST-FEED	47
-	1	1	1	1	1	1	1320999-3	APPLICATOR SUBASSEMBLY, HDI	46
-	1	1	1	1	1	1	690191-1	PLUG, NYLON	45
-	1	1	1	1	1	1	1338660-1	RAM	44
-	1	1	1	1	1	1	690125-1	SHIM SUB-ASSY	43
-	1	1	1	1	1	1	690124-1	WASHER, RAM (.115)	42
-	1	1	1	1	1	1	2-18024-6	SCR, BTN SKT HD CAP (M8 X 25.0)	41
-	1	1	1	1	1	1	23241-1	BALL, STEEL	40
-	1	1	1	1	1	1	2-22278-7	SPRING, COMPRESSION	39
-	1	1	1	1	1	1	1320922-1	DISC, ADJUST, INSULATION CRIMP	38
-	1	1	1	1	1	1	354777-1	WIRE DISC, ASSEMBLY	37
-	1	1	1	1	1	1	22480-5	SPRING, COMPRESSION	36
-	1	1	1	1	1	1	690212-1	POST, RAM	35
-	1	1	1	1	1	1	1320934-1	SUPPORT, TERMINAL	34
-	2	2	2	2	2	2	1-18024-0	SCR, BTN SKT HD CAP (M4 X 20.0)	33
-	1	1	1	1	1	1	18027-2	WASHER, FLAT, REG M4	32
-	1	1	1	1	1	1	1-18023-2	SCR, SKT HD CAP M4 X 12.0	31
-	1	1	1	1	1	1	1320908-4	SPACER, STRIP GUIDE	30
-	1	1	1	1	1	1	1633073-1	STRIP GUIDE ASSEMBLY	29
-	1	1	1	1	1	1	1-455888-0	SPACER, CRIMPER	28
-	2	2	2	2	2	2	1-22284-0	SPRING, COMPRESSION	27
-	1	1	1	1	1	1	356835-1	LEVER, DRAG RELEASE	26
-	1	1	1	1	1	1	240792-1	DRAG, TERMINAL	25
-	1	1	1	1	1	1	1320928-1	STRIP GUIDE	24
-	1	1	1	1	1	1	980371-4	SCR, SKT HD SHLDR 5.0 DIA X 6.0	23
-	1	1	1	1	1	1	690472-2	STRIPPER	22
-	1	1	1	1	1	1	1-18023-1	SCR, SKT HD CAP M4 X 10.0	21
-	4	4	4	4	4	4	18025-2	WASHER, SPRG LOCK, REG M4	20
-	-	-	-	-	-	-	690472-1	STRIPPER	19
-	1	1	1	1	1	1	690518-2	HOLD DOWN, TERMINAL	18
-	1	1	1	1	1	1	1338684-1	SHEAR HOLDER, FRONT	17
-	-	-	-	-	-	-	-	-	16
-	-	-	-	-	-	-	-	-	15
-	-	-	-	-	-	-	-	-	14
-	-	-	-	-	-	-	-	-	13
-	1	1	1	1	1	1	3-22280-3	SPRING, COMPRESSION	12
-	1	1	1	1	1	1	356885-4	STOP, SHEAR	11
-	-	-	-	-	-	-	1320921-1	SHEAR HOLDER, FRONT, CUT	10
-	1	1	1	1	1	1	462006-2	FLOATING SHEAR, FRONT	9
-	1	2	2	2	1	1	7-1333203-5	ANVIL, COMBINATION	8
-	-	-	-	-	-	-	-	-	7
-	-	-	-	-	-	-	-	-	6
-	1	1	1	1	1	1	2-455889-0	DEPRESSOR, SHEAR	5
-	1	1	1	1	1	1	1-238011-0	BLOCK, CRIMPER SPACER	4
-	1	2	2	2	1	1	5-904741-8	CRIMPER, INSUL O PREMIUM	3
-	1	1	1	1	1	1	455888-5	SPACER, CRIMPER	2
-	1	2	2	2	1	1	1-456404-6	CRIMPER, WIRE PREMIUM	1

TE Connectivity
Harrisburg, PA 17105-3608

STE

NAME: SIDE FEED HDI APPLICATOR

SIZE: A | CAGE CODE: 00779 | DRAWING NO: 1426570

SCALE: 3:5 | SHEET: 1 of 1 | REV: B